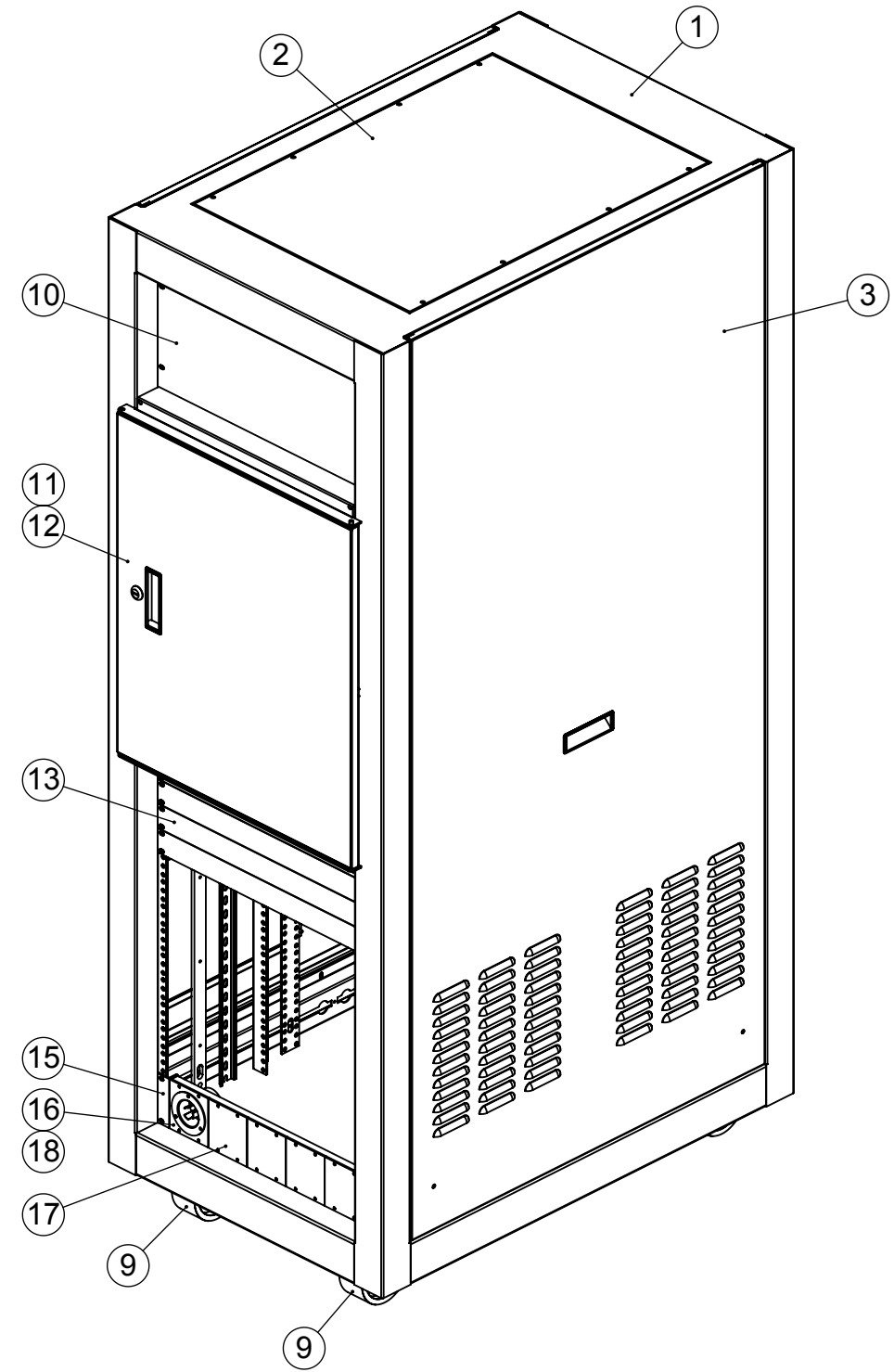
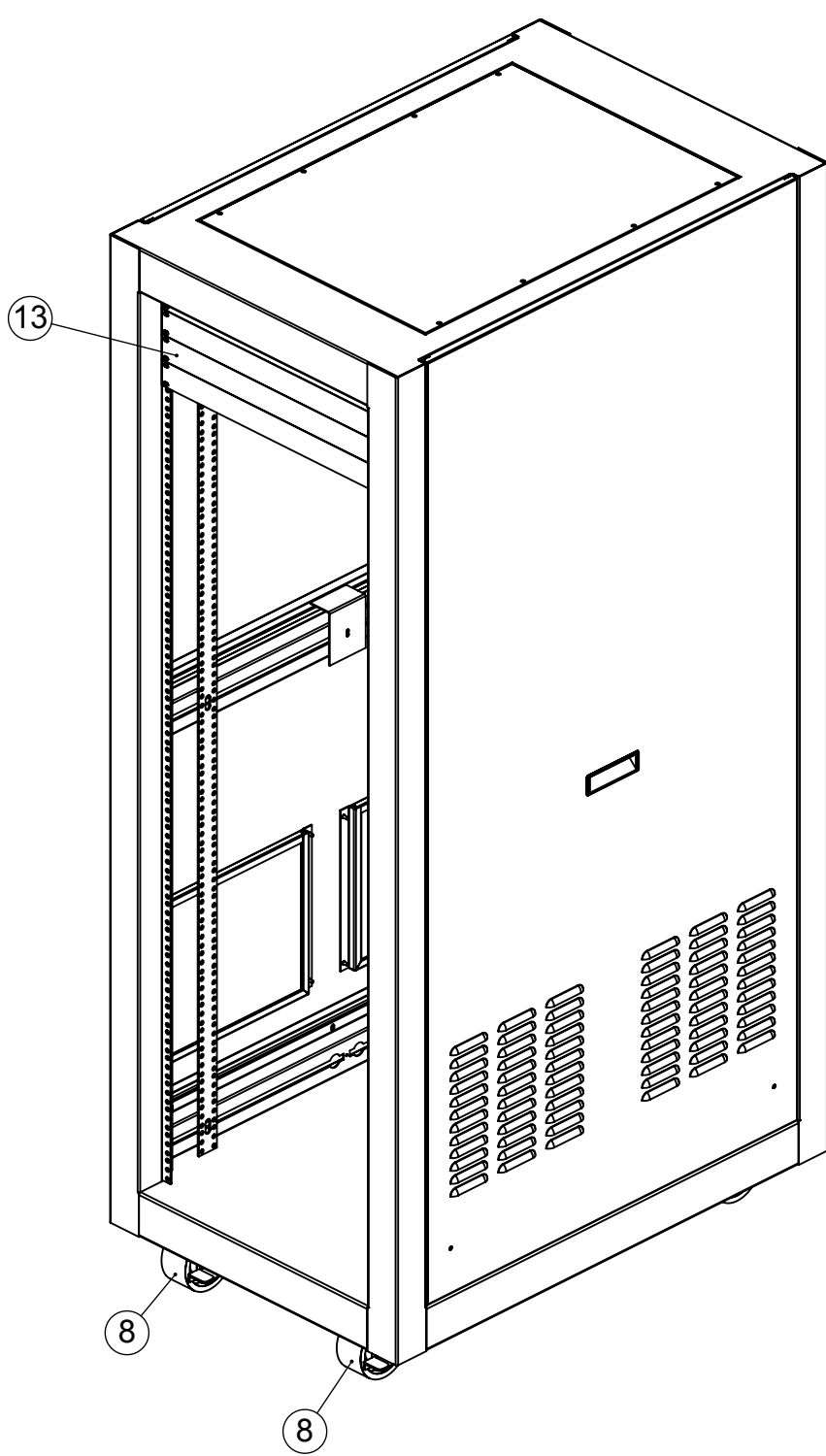


8 7 6 5 4 3 2 1

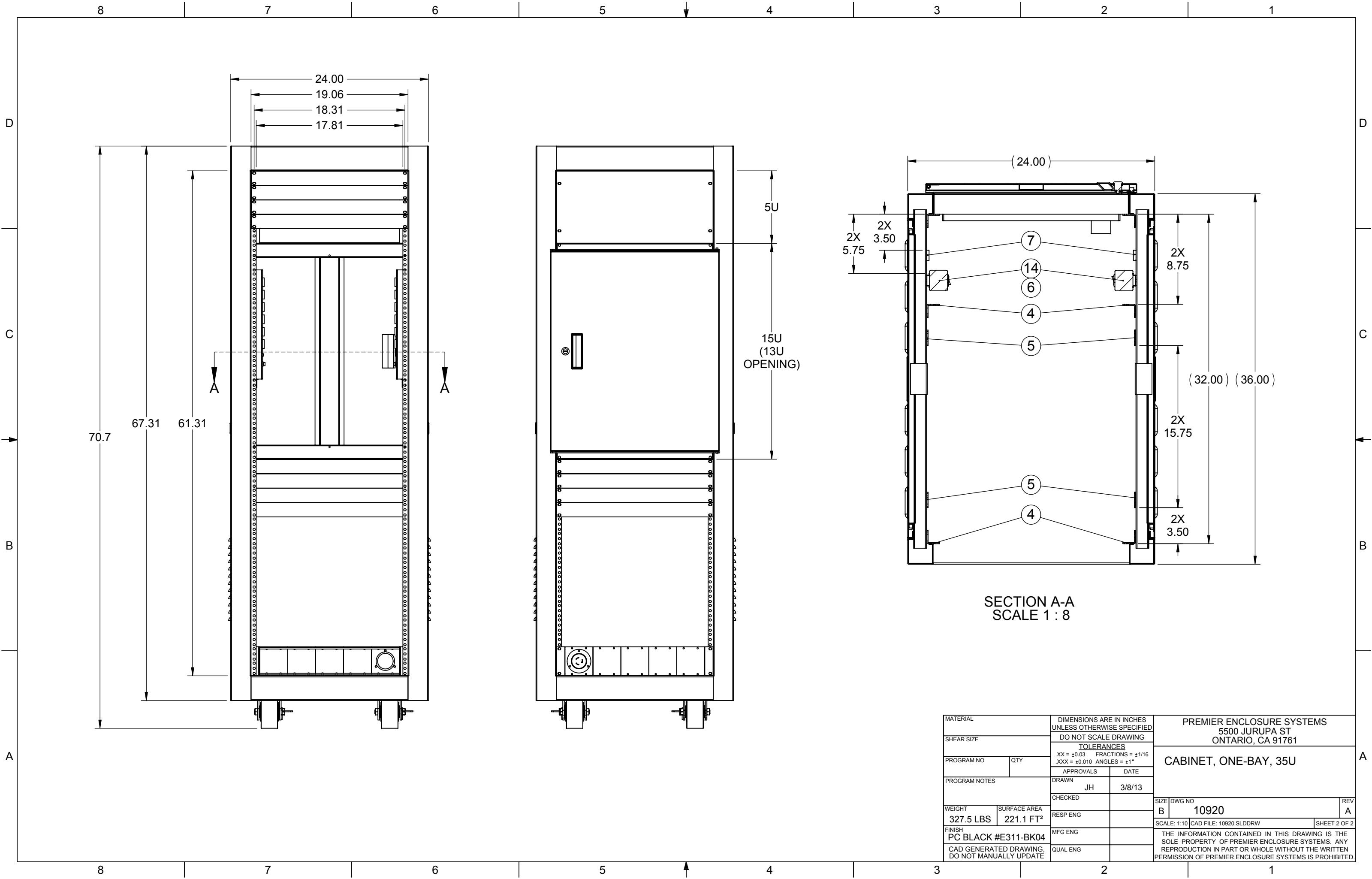
NOTES:  
 1. ITEMS 19-22 NOT SHOWN.  
 2. MAKE A CORD WITH ITEMS 19, 20, 21 AND SHIP LOOSE.



ITEM #	PART NUMBER	DESCRIPTION	QTY
22	HW-14	SCREW, 10-32 X 3/4, W/NUT & WASHER, BAG OF 20	10
21	305P	PLUG, 30A, L-30P	1
20	305C	PLUG, RECEPTACLE, 30A, TWIST LOCK, L5-30R	1
19	19106	CORD, 12 AWG, 3 COND, 25'	1
18	305FI	PLUG, INLET, 30A	1
17	UCPB1	MODULE, 2U, BLANK	4
16	TW3B	MODULE, 2U, WITH TWIST LOCK PUNCHOUT	1
15	FK2	FRAME KIT, 2U	1
14	ULB620-6	POWER STRIP, 6 OUTLET, 20 AMP, W/SWITCH	2
13	ARP-119	PANEL, ALUM, 1U	8
12	TVD-2219	DOOR, RH, 22.75 VPO X 19 HPO	1
11	10920M07	PANEL, FORMED, SHORT DOOR	2
10	KP875B	TWIN FANS, EXHAUST, PANEL MOUNTED, 5U	1
9	R142R-RT	CASTER, RIGID	2
8	S142R-RT-WB	CASTER, HD, SWIVEL, W/BRAKE	2
7	BB-61	BUS BAR, 61.25	2
6	8961K16	RAIL, DIN, 61.25 L	2
5	PMA-F-61	RAIL, FLAT, CLEARANCE HOLES, 61.25 VPO	4
4	PMA-61	ANGLE, PANEL MTG, CLEARANCE, 35U	6
3	10920M10	PANEL, SIDE, PAIR, 1/2 BOTTOM LOUVER	1
2	FP-2619	PANEL, FORMED, 15U	1
1	10920-F	FRAME, ONE-BAY, 61.25 VPO X 19 HPO X 36 D	1

MATERIAL		DIMENSIONS ARE IN INCHES UNLESS OTHERWISE SPECIFIED		PREMIER ENCLOSURE SYSTEMS 5500 JURUPA ST ONTARIO, CA 91761	
SHEAR SIZE		DO NOT SCALE DRAWING		CABINET, ONE-BAY, 35U	
PROGRAM NO		TOLERANCES XX = ±0.03 FRACTIONS = ±1/16 .XXX = ±0.010 ANGLES = ±1°			
QTY		APPROVALS		DATE	
PROGRAM NOTES		DRAWN		3/8/13	
		CHECKED			
WEIGHT		SURFACE AREA		SIZE DWG NO	
327.5 LBS		221.1 FT <sup>2</sup>		B 10920	
FINISH		MFG ENG		SCALE: 1:11 CAD FILE: 10920.SLDDRW SHEET 1 OF 2	
PC BLACK #E311-BK04		QUAL ENG			
CAD GENERATED DRAWING, DO NOT MANUALLY UPDATE		THE INFORMATION CONTAINED IN THIS DRAWING IS THE SOLE PROPERTY OF PREMIER ENCLOSURE SYSTEMS. ANY REPRODUCTION IN PART OR WHOLE WITHOUT THE WRITTEN PERMISSION OF PREMIER ENCLOSURE SYSTEMS IS PROHIBITED.			

8 7 6 5 4 3 2 1



SECTION A-A  
SCALE 1 : 8

MATERIAL		DIMENSIONS ARE IN INCHES UNLESS OTHERWISE SPECIFIED		PREMIER ENCLOSURE SYSTEMS 5500 JURUPA ST ONTARIO, CA 91761	
SHEAR SIZE		DO NOT SCALE DRAWING		CABINET, ONE-BAY, 35U	
PROGRAM NO		TOLERANCES XX = ±0.03 FRACTIONS = ±1/16 .XXX = ±0.010 ANGLES = ±1°		SIZE DWG NO	
QTY		APPROVALS		B 10920	
PROGRAM NOTES		DATE		REV	
		DRAWN JH 3/8/13		A	
		CHECKED		SCALE: 1:10 CAD FILE: 10920.SLDDRW SHEET 2 OF 2	
WEIGHT 327.5 LBS		RESP ENG			
SURFACE AREA 221.1 FT <sup>2</sup>		MFG ENG			
FINISH PC BLACK #E311-BK04		QUAL ENG			
CAD GENERATED DRAWING, DO NOT MANUALLY UPDATE		THE INFORMATION CONTAINED IN THIS DRAWING IS THE SOLE PROPERTY OF PREMIER ENCLOSURE SYSTEMS. ANY REPRODUCTION IN PART OR WHOLE WITHOUT THE WRITTEN PERMISSION OF PREMIER ENCLOSURE SYSTEMS IS PROHIBITED.			