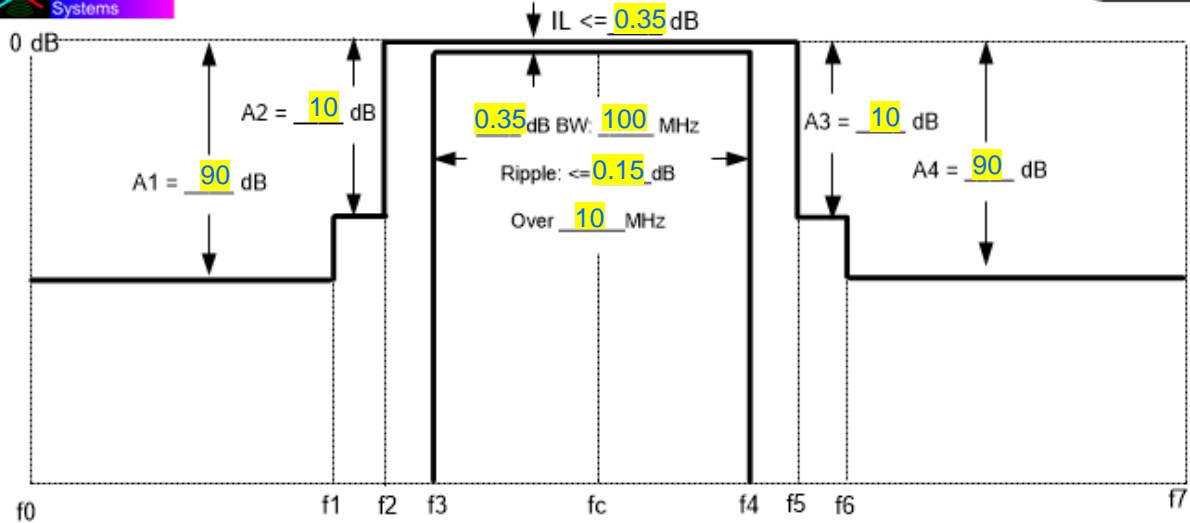


Bandpass Filter Specification Form

Not to scale



f_0	f_1	f_2	f_3	f_c	f_4	f_5	f_6	f_7	
0	1000	2000	3000	1000	1000	1000	1000	1000	MHz

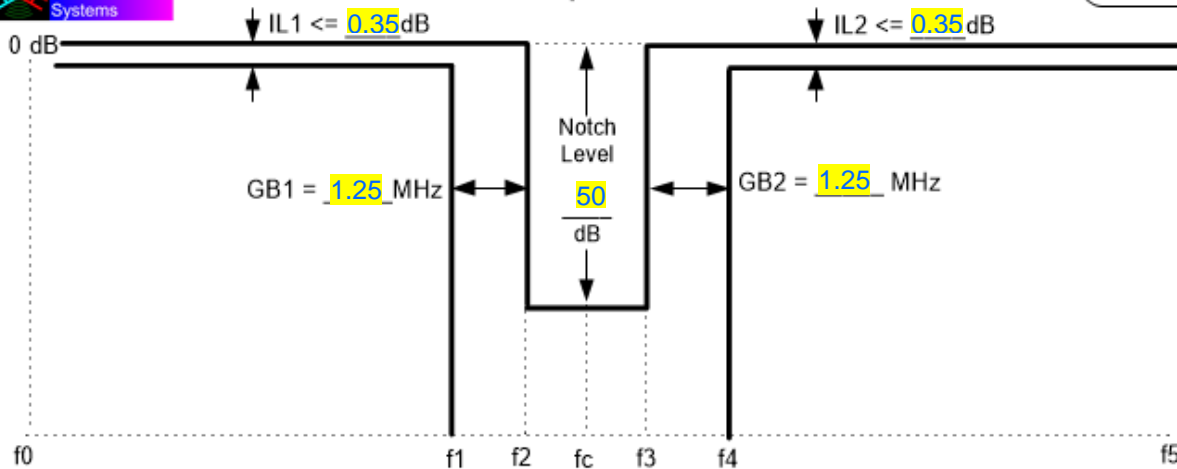
Power Handling: 100 W average and 1000 Watts Peak in all environments and elevation.
Return Loss (RL) in the specified pass band shall be minimum 18 dB.

Temperature Range (OP)	Low	-10	°C
	High	+80	°C

Note: Add more specification parameters here:

Notch Filter Specification Form

Not to scale



f_0	f_1	f_2	f_3	f_4	f_c	f_5	
0	1000	2000	3000	1000	1000	1000	MHz

Power Handling: 100 W average and 1000 Watts Peak in all environments and elevation.
Return Loss (RL) in the specified pass band shall be minimum 18 dB.

Temperature Range (OP)	Low	-10	°C
	High	+80	°C

Note: Add more specification parameters here: